



**Fixed Setpoint Design
Hazardous Location Rated
Explosion Proof**



DESCRIPTION

The Model 703-U, Fixed is a heavy duty, factory set pressure switch for use in gaseous or liquid fluid systems. Its 316 stainless steel construction resists the effects of corrosive elements. The Model 703-U, Fixed has been used in applications where its rugged piston design assures high over-pressure capability with exceptional accuracy and repeatability. Its hazardous location rating and explosion proof design is uniquely suited to off-shore exploration, transportation and processing of petro-chemicals.

FEATURES

- High Over-pressure Capability
- Corrosion Resistant Stainless Steel Construction (AISI 316SS conforming to NACE MR-01-75)
- UL Listed for use in hazardous locations;
Class 1: Division 1, Groups A, B, C, D
Class 2: Groups E, F, G
- NEMA Type 7 Rating

APPLICATIONS

- Off-shore Exploration
- Petro-chemical Processing
- Industrial OEM Equipment

STANDARD SPECIFICATIONS

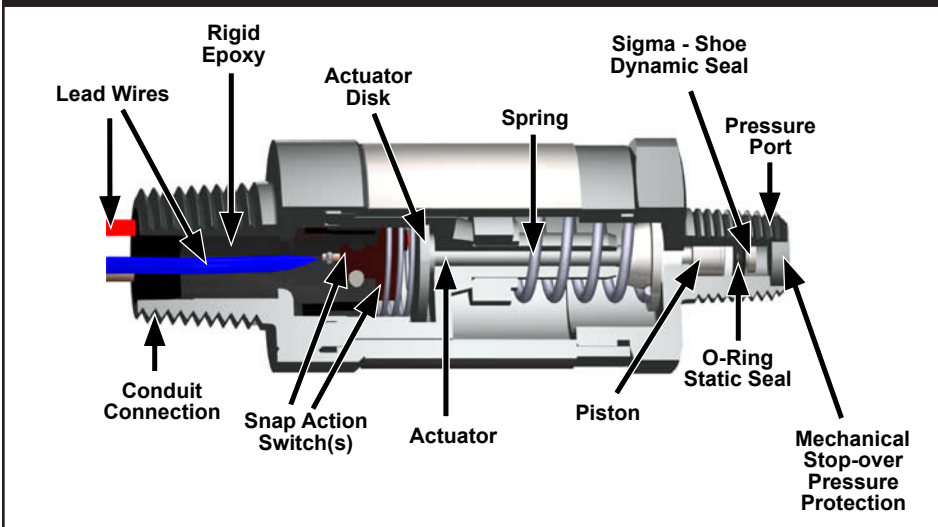
Pressure Connection	Electrical	Electrical Configuration	Electrical Connection	Lubrication	Materials	Temperature Range	Filtering	Shipping Weight
1/4"-18 NPT (Male) Standard	Snap-action Electrical Switch Listed by UL and CSA	Single Pole Double Throw (SPDT)	1/2"-NPT (Male) w/ 5 full threads for conduit engagement	Silicone Base	Hydraulic & Electric Modules AISI 316 Stainless Steel, Conforming to NACE MR-0175	Fluorocarbon Seals: +20°F to +180°F +6°C to +71°C Nitrile Seals: -40°F to +160°F -40°C to +71°C	Pressure Ranges through 750 PSIG, inlet port contains 316 SST Sintered porous disc rated 20 microns maximum	Approx. 1 LB (.45Kg)
Options Available	At 28 VDC: 7 Amps Resistive; 4 Amps Inductive; 2 1/2 Amps Lamp Load UL Listed for Hazardous Locations (Explosion Proof)	Double Pole Double Throw (DPDT)	Lead wires - Type UL 1015 AWG #18, 24" Long, factory sealed. Confirms to UL 698 Tenth Edition	Options Available		Withstands All-weather Use; NEMA Type 7		

OPERATING PRESSURE DATA

Series	Pressure Range		Dead Band*		Max System Pressure		Proof Pressure	
	PSIG	BAR	PSIG	BAR	PSIG	BAR	PSIG	BAR
703-U	6 - 50	0.41 - 3.45	2 / 6	0.14 - 0.41	400	27.58	600	41.37
703-U	50 - 200	3.45 - 13.79	8 / 20	0.55 - 1.38	600	41.37	900	62.05
703-U	200 - 750	13.79 - 51.71	25 / 70	1.72 - 4.83	3000	206.84	4500	310.26
703-U	750 - 2500	51.71 - 172.37	80 / 225	5.52 - 15.51	5000	344.74	7500	517.11
703-U	2500 - 5000	172.37 - 344.74	220 / 400	15.17 - 27.58	7500	517.11	10000	689.48

*Interpolate for intermediate pressures

BASIC PRINCIPLES OF DESIGN



ORDERING SEQUENCE

Series

- 703-U - Environmentally Sealed Fixed Setting Pressure Switch
- See Operating Pressure data table

Electrical Configuration

- A - Single Pole Double Throw (SPDT)
- AA - Double Pole Double Throw (DPDT)

Set Pressure to be Held on

- R - Rising Pressure
- F - Falling Pressure

Set Pressure

- Specify factory set pressure in 4-place PSIG (Example: 0060 for 60 PSIG)

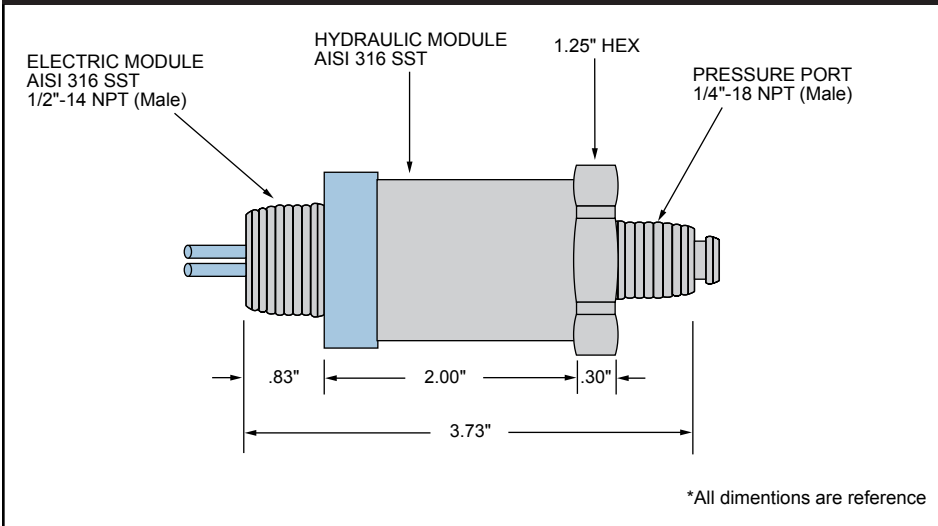
Seal Materials

- V - Fluorocarbon - Standard
- N - Nitrile (BUNA-N)
- As low as -40°F (-40°C) operation

Special Items

- Wire, cable, and cable length
- Pressure connection
- Seal materials
- Gold electrical contacts for low current applications
- Consult rep or factory for special items

ENVELOPE DIMENSIONS



ORDERING PROCEDURE

Series Number	Electrical Configuration	Set Pressure Held On	Set Pressure	Seal Material
703-U	AA	F	0060	N
	AA = DPDT	F = Falling Pressure	0060 = 60 PSIG	T = Nitrile (Buna-N)

*Insert available option number or letter as required

Example: 703-UAAF-0060N