



Field Adjustable Design
Extreme Environments



DESCRIPTION

Miniature piston operated, field adjustable pressure switch, ideal for use where limited installation space and the tough environments of oil, fuel, water, dust, impact and vibration exist. Wide range of adjustment with exceptional accuracy and repeatability. Tamper resistant locking device on adjusting sleeve maintains integrity of set point. Integral pressure port snubbing and inherent rugged construction assures long life and high overpressure capability. Custom pressure port configurations and electrical connections available.

FEATURES

- High Over-pressure Capability
- High-strength Stainless Steel Construction
- Integral Pressure Port Snubbing
- Wide Media Compatibility Range
- High Shock & Vibration Survivability
- Wide Operating Temperature Range
- Custom Configuration
- UL Recognized
- NEMA Type 4 Rating

APPLICATIONS

- Off Road Equipment
- Industrial OEM Equipment
- Train Braking Systems
- Compactors
- Compressors

STANDARD SPECIFICATIONS

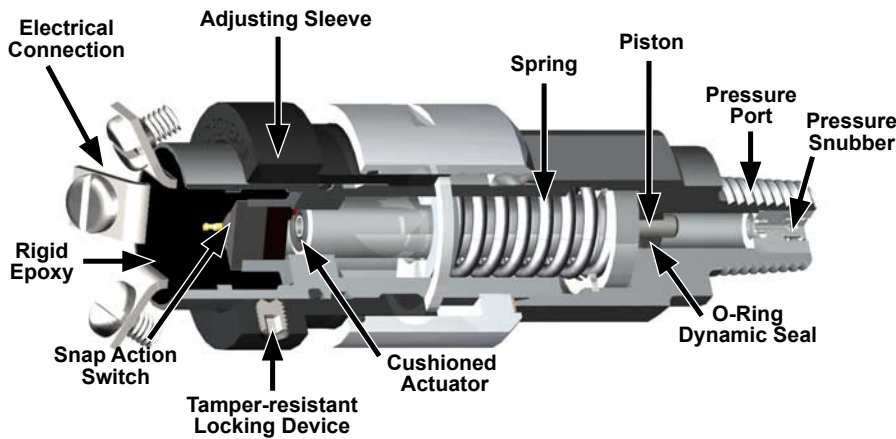
Pressure Connection	Pressure Adjustment	Electrical	Electrical Connection	Seal Materials	Materials	Temperature Range	Shipping Weight
1/4"-18 NPT	Adjustable Within Ranges Shown in Table Below	Snap-action Electrical Switch Listed by Underwriters Lab and CSA	3 Terminal Tabs #8-32 "SEMS" Screws	Nitrile (Buna-N) "O"- Ring	Hydraulic Module Housing: 303 Stainless Steel	-40°F to + 250°F -40°C to + 120°C	Approximately 5 oz
1/8"-27 NPT							
9/16"-18 UNJF-3A			Options Available	Options Available	Electric Module Housing: Aluminum		
Options Available		At 28 VDC: 7 Amps Resistive; 4 Amps Inductive; 2 1/2 Amps Lamp Load			Adjusting Sleeve: Aluminum Hard Coat Anodized		

OPERATING PRESSURE DATA

Series	Range Indicator	Range Number	Adjustment Range		Dead Band*		Max System Pressure		Proof Pressure	
			PSIG	BAR	PSIG	BAR	PSIG	BAR	PSIG	BAR
744	1	0150	25 - 140	1.72 - 9.65	4 / 14	0.28 / 0.97	1500	103	2250	153
744	6	0300	50 - 275	3.45 - 18.96	10 / 27	0.69 / 1.86	2400	165	3500	241
744	2	0575	100 - 540	6.89 - 37.23	15 / 45	1.03 / 3.10	3000	207	4500	310
744	3	1550	275 - 1500	18.96 - 103.42	45 / 130	3.10 / 8.96	4500	310	6800	469
744	4	3500	625 - 3400	43.09 - 234.42	150 / 240	10.34 / 16.55	6500	448	10000	690
744	5	6100	1100 - 6000	75.84 - 413.68	250 / 425	17.24 / 29.30	7500	517	12000	827

*Interpolate for intermediate pressures

BASIC PRINCIPLES OF DESIGN



ORDERING SEQUENCE

Series

- 744 - Set pressures between 25 and 6000 PSIG
- See Operating Pressure data table

Pressure Connection

- 6 - 9/16"-18 UNJF-3A (MS33656-E6)
- 2 - 1/4"-18 NPT (Male)
- Consult factory for metric and additional configurations

Pressure Range Number

- See Operating Pressure data table
- Unless otherwise requested, units will be set at mid-range

Type

- C - Environmentally Sealed Adjustable Pressure Switch
- NEMA TYPE 4

Electrical Connection

- 03 - SPDT - 3 Terminal Tabs with #8-32 "SEMS" Screws
- 28 - SPDT - Weather Pack Connector with 4" lead wires (socket)
- 33 - SPDT - 3 #18 AWG lead wires 10" long
- 37 - SPDT - Weather Pack connector with 4" lead wires (pin)
- Consult factory for additional electrical configurations

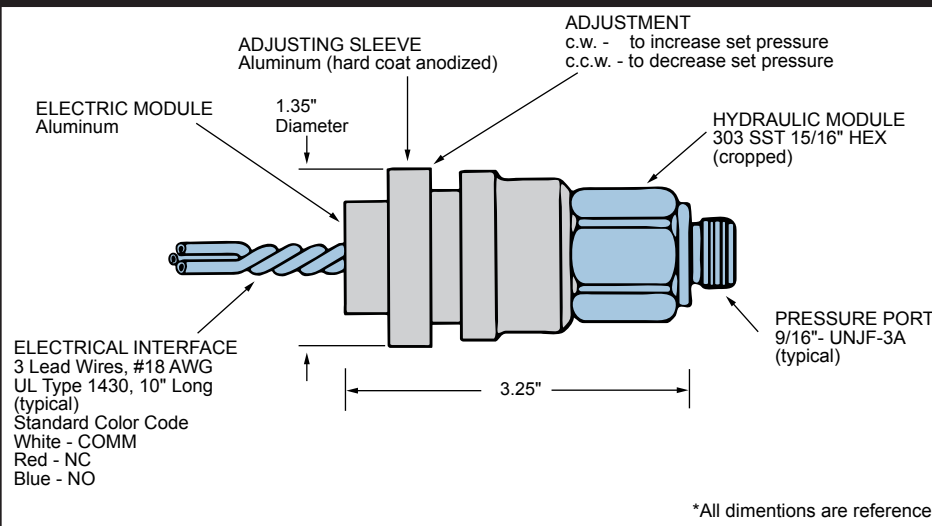
Seal Materials

- T - Nitrile (BUNA-N) - Standard
- V - Fluorocarbon
- E - Ethylene Propylene
- Consult factory for other available materials

Special Items

- Wire, cable, and cable length
- Pressure connection
- Seal materials
- Weather-proof connectors
- Gold electrical contacts for low current applications
- Custom configurations
- Consult rep or factory for special items

ENVELOPE DIMENSIONS



ORDERING PROCEDURE

