

RUGGED MINIATURE SWITCH WITH HIGH ELECTRICAL CAPACITY



The **Model 744-V** is a heavy-duty, factory set miniature pressure switch ideal for limited installation spaces in protected environments. Featuring high electrical capacity, integral pressure port snubbing and a rugged piston-operated design, this switch achieves exceptional accuracy and long life in demanding applications. Custom pressure port configurations and electrical connections are available.

FEATURES

- High over-pressure capability
- High-strength stainless steel construction
- Integral pressure port snubbing
- Wide media compatibility range
- High shock and vibration survivability
- Wide operating temperature range
- Custom configuration
- UL Recognized
- NEMA Type 4 Rating

APPLICATIONS

- Off Road Equipment
- Industrial OEM Equipment
- Train Braking Systems
- Compactors
- Compressors

STANDARD SPECIFICATIONS

Pressure Connection	Electrical	Electrical Connection	Seal Materials	Materials	Temperature Range	Shipping Weight
1/4"-18 NPT	Snap-action Electrical Switch listed by UL and CSA	3/16" QuickConnect Slip-on Terminals	Nitrile (Buna-N) "O"-Ring	Hydraulic Module Housing 303 Stainless Steel	-40°F to +250°F	Approximately 3 oz.
1/8"-27 NPT					-40°C to +120°C	
9/16"-18 UNJF-3A	10 Amp 115-230 VAC 10 Amp Resistive 28-32 VDC 10 A Inductive @ 24 VDC 5 A Inductive @ 36 VDC 4 A Lamp Load @ 30 VDC	Options Available	Options Available	Electric Module Housing: Mineral-Filled Nylon	(Temperature Limits Change with "O"- Ring Seal Material Selection)	
Options Available						

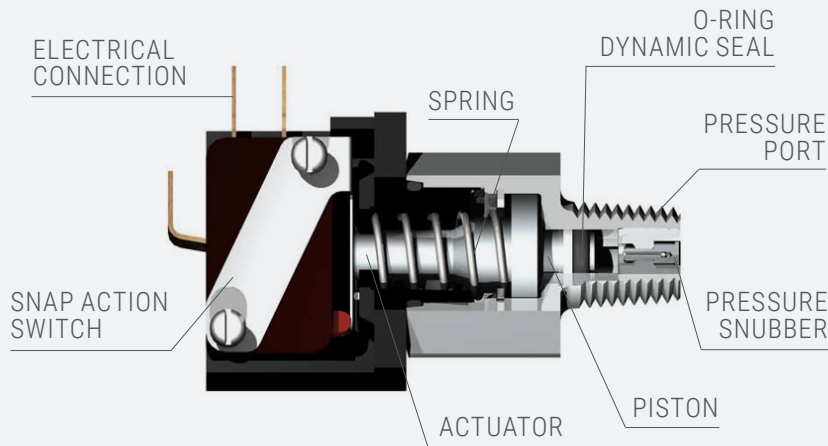
OPERATING PRESSURE DATA

Series	Range Indicator	Pressure Range	Tolerance on Set Pressure*	Dead Band*	Max System Pressure	Proof Pressure
744	1	8 – 125	±1 / ±5	4 / 14	1500	2250
	6	50 – 275	±5 / ±10	10 / 27	2400	3500
	2	75 – 500	±7 / ±15	15 / 45	3000	4500
	7	130 – 1000	±8 / ±20	20 / 95	3000	8000
	3	300 – 1500	±15 / ±40	45 / 130	4500	6800
	4	1250 – 3000	±40 / ±75	150 / 240	6500	10000
	5	2500 – 6000	±75 / ±125	250 / 425	7500	12000

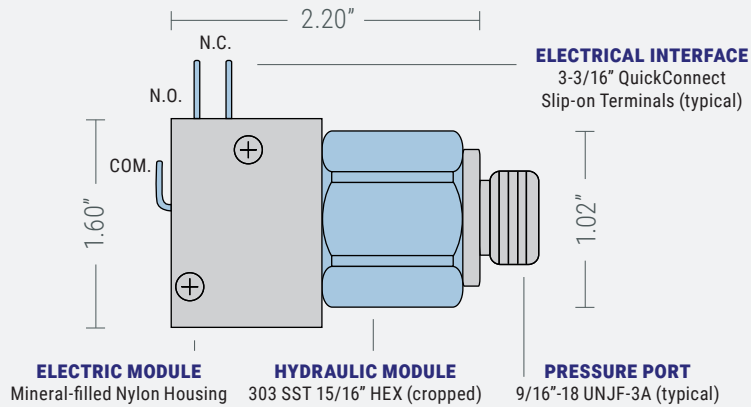
*Interpolate for intermediate pressures *Pressure in PSIG



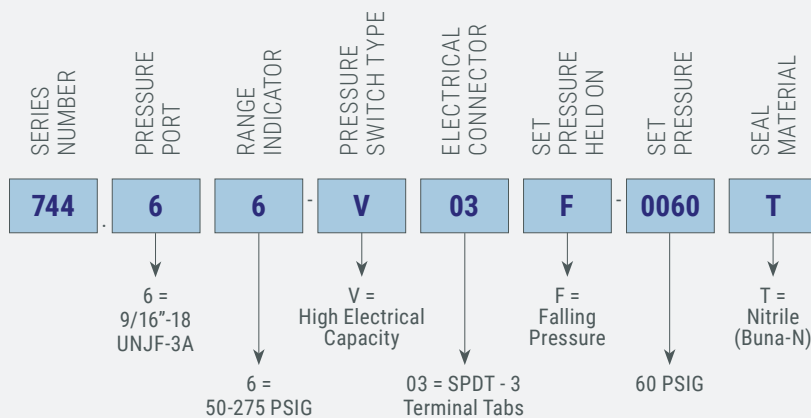
BASIC PRINCIPLES OF DESIGN



ENVELOPE DIMENSIONS



ORDERING PROCEDURE



*Insert available option number or letter as required

Example: 744.66-V03F-0060T

ORDERING SEQUENCE

SERIES

- 744 - Set pressures between 8 and 6000 PSIG
- See Operating Pressure Data table

PRESSURE CONNECTION

- 6 - 9/16"-18 UNJF-3A (MS33656-E6)
- 2 - 1/4"-18 NPT (Male)
- Consult factory for metric and additional configurations

PRESSURE RANGE NUMBER

- See Operating Pressure Data table

TYPE

- V - High Electrical Capacity, Fixed Setting Pressure Switch

ELECTRICAL CONNECTION

- 01 - SPDT - 3, 3/16" QuickConnect Slip-on Terminals - Standard
- 02 - SPDT - 3, #4-40 Screw Terminals

SET PRESSURE TO BE HELD ON

- R - Rising Pressure
- F - Falling Pressure

SET PRESSURE

- Specify factory set pressure in 4-place PSIG (Example: 0060 for 60 PSIG)

SEAL MATERIALS

- T - Nitrile (Buna-N) - Standard
- V - Fluorocarbon (Viton™)
- E - Ethylene Propylene
- Consult factory for other available materials

SPECIAL ITEMS

- 15 Amp 115-230 VAC rating
- Pressure connection
- Seal materials
- Consult factory for special items