

# FIELD ADJUSTABLE DIAPHRAGM SWITCH FOR LOW PRESSURE: 3-125 PSIG



The **Model 768-C** adjustable diaphragm pressure switch is ideal for low pressure. The Delrin® housing makes this switch an excellent choice where sterilization and cleanliness are necessary. The compact size eases space requirements.

## FEATURES

- Low Hysteresis
- Accuracy
- Repeatability
- Wide Range of Media Compatibility
- NEMA Type 2 rating

## APPLICATIONS

- Emission/Air Quality Monitoring
- Load Monitoring
- Water Systems

## STANDARD SPECIFICATIONS

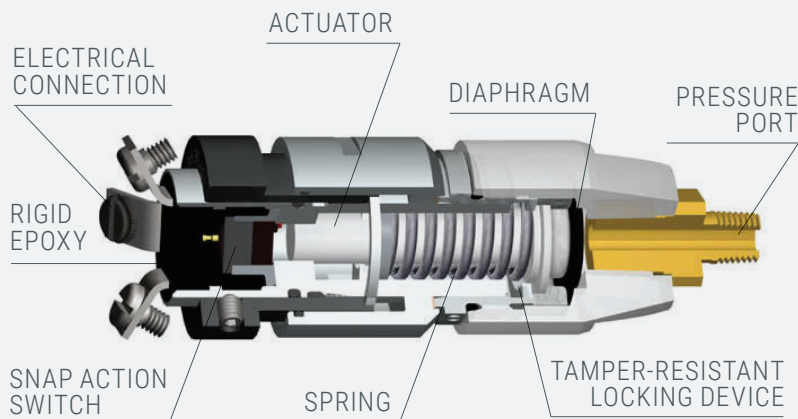
Pressure Connection	Electrical	Electrical Connection	Seal Materials	Materials	Temperature Range	Shipping Weight
1/8"-27 NPT (Male)	Snap-action Electrical Switch listed by Underwriters Lab and CSA	3 Terminal Tabs #8-32 "SEMS" Screws	Nitrile (Buna-N) "O"- Ring	Hydraulic Housing Delrin®	-40°F to +160°F	Approximately 4 oz.
1/4"-18 NPT (Male)						
Available in Brass and Stainless Steel	At 28 VDC: 7 Amps Resistive; 4 Amps Inductive; 2 1/2 Amps Lamp Load	Options Available	Fluorocarbon (Viton™)	Electric Module Anodized Aluminum	-40°C to +71°C	

## OPERATING PRESSURE DATA

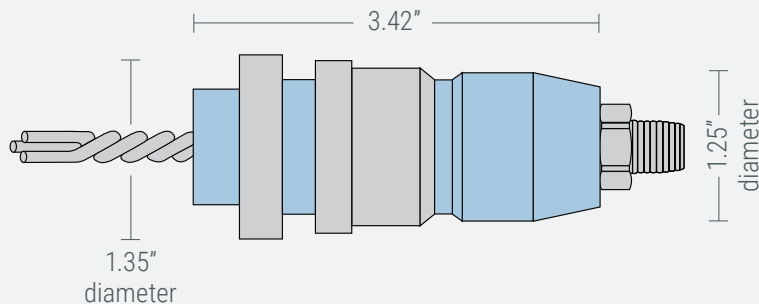
Series	Range Number	Pressure Range	Dead Band*	Max System Pressure	Proof Pressure
768-C	-35	3 - 35	1.5 / 4.0	150	225
	-125	25 - 125	2.0 / 6.0	150	225

\*Interpolate for intermediate pressures \*Pressure in PSIG

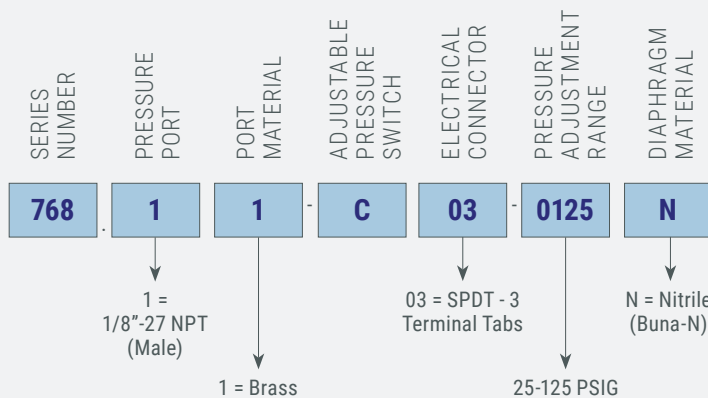
## BASIC PRINCIPLES OF DESIGN



## ENVELOPE DIMENSIONS



## ORDERING PROCEDURE



\*Insert available option number or letter as required

Example: 768.11-C03-0125 N

## ORDERING SEQUENCE

### SERIES

- 768 - Adjustable Pressure Switch

### PRESSURE CONNECTION

- 1 - 1/8"-27 NPT (Male)
- 2 - 1/4"-18 NPT (Male)

### PRESSURE CONNECTION MATERIAL

- 1 - Brass
- 2 - Stainless Steel

### TYPE

- C - Adjustable Diaphragm Pressure Switch

### ELECTRICAL CONNECTION

- C03 - SPDT - 3 Terminal Tabs with #8-32 "SEMS" Screws
- C33 - SPDT - 3 #18 AWG Standard lead wires, 10" long
- C35 - SPDT - 3 #18 AWG conductor cable PVC insulation and jacket, 24" long
- Other Options Available

### SET PRESSURE TO BE HELD ON

- R - Rising Pressure
- F - Falling Pressure

### SET PRESSURE

- Specify factory set pressure in 4-place PSIG (Example: 0100 for 100 PSIG)

### DIAPHRAGM MATERIALS

- N - Nitrile (Buna-N) - Standard
- V - Fluorocarbon (Viton™)
- E - Ethylene Propylene
- Consult factory for other available materials and specials