

# FIXED SETTING DIAPHRAGM SWITCH FOR LOW PRESSURE: 3-125 PSIG & VACUUM SENSING: 3-26" Hg



The **Model 768-S** diaphragm pressure switch is ideal for low pressure and vacuum applications. The Delrin® housing makes this switch an excellent choice where sterilization and cleanliness are necessary. The compact size eases space requirements.

### FEATURES

- Low Hysteresis
- Accuracy
- Repeatability
- Wide Range of Media Compatibility
- NEMA Type 2 rating

### APPLICATIONS

- Emission/Air Quality Monitoring
- Load Monitoring
- Water Systems

## STANDARD SPECIFICATIONS

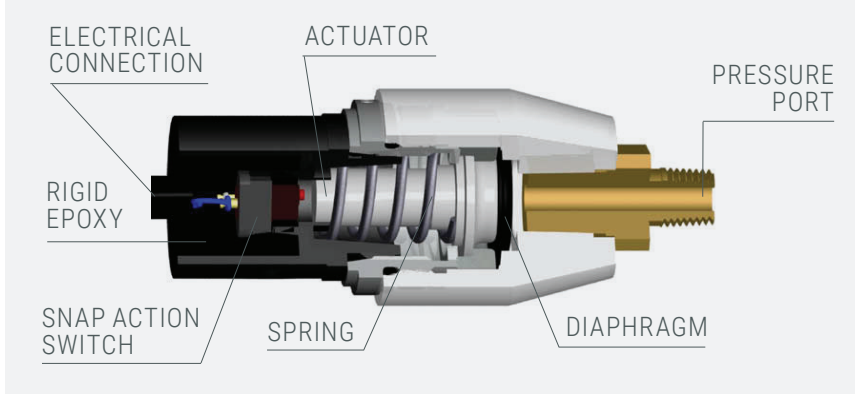
Pressure Connection	Electrical	Electrical Connection	Seal Materials	Materials	Temperature Range	Shipping Weight
1/8"-27 NPT (Male)	Snap-action Electrical Switch listed by Underwriters Lab and CSA	Lead Wire Connectors	Nitrile (Buna-N)	Hydraulic Housing Delrin®	-40°F to +160°F	Approximately 4 oz.
1/4"-18 NPT (Male)		Single Pole Single Throw (SPST) or Double Throw (SPDT)				
Available in Brass and Stainless Steel	At 28 VDC: 7 Amps Resistive; 4 Amps Inductive; 2 1/2 Amps Lamp Load	Normally Open (NO), Normally Closed (NC)	Fluorocarbon (Viton™)	Electric Module Anodized Aluminum	-40°C to +71°C	
		Options Available				

## OPERATING PRESSURE DATA

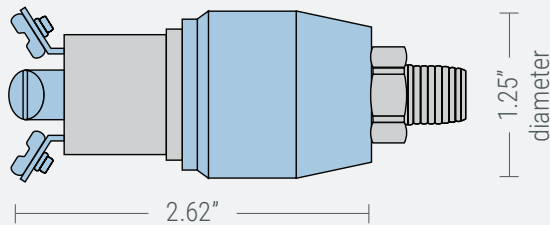
Series	Range Number	Pressure Range	Tolerance on Set Pressure*	Dead Band*	Max System Pressure	Proof Pressure
768-S	Hg - *	3" Hg - 26" Hg	±0.5 / ±1.5" Hg	1.0" / 3.0" Hg	10 PSIG	15 PSIG
	- *	3 - 125 PSIG	±1.0 / ±2.5 PSIG	1.5 / 6.0 PSIG	150 PSIG	225 PSIG

\*Interpolate for intermediate pressures

## BASIC PRINCIPLES OF DESIGN



## ENVELOPE DIMENSIONS



## ORDERING PROCEDURE

SERIES NUMBER	PRESSURE PORT	PORT MATERIAL	FACTORY SET PRESSURE SWITCH	ELECTRICAL CONNECTOR	SET PRESSURE HELD ON	SET PRESSURE	DIAPHRAGM MATERIAL
<b>768</b>	<b>1</b>	<b>1</b>	<b>S</b>	<b>03</b>	<b>F</b>	<b>0125</b>	<b>N</b>
	1 = 1/8"-27 NPT (Male)	1 = Brass		03 = SPDT - 3 Terminal Tabs	F = Falling	155 PSIG	N = Nitrile (Buna-N)

\*Insert available option number or letter as required

Example: 768.11-S03F-0125 N

## ORDERING PROCEDURE FOR VACUUM SWITCH

SERIES NUMBER	PRESSURE PORT	PORT MATERIAL	FACTORY SET PRESSURE SWITCH	ELECTRICAL CONNECTOR	SET PRESSURE HELD ON	VACUUM SWITCH	SET PRESSURE	DIAPHRAGM MATERIAL
<b>768</b>	<b>1</b>	<b>1</b>	<b>S</b>	<b>03</b>	<b>F</b>	<b>Hg</b>	<b>008.5</b>	<b>N</b>
							8.5" Mercury	

\*Insert available option number or letter as required

Example: 768.11-S03F-Hg008.5 N

## ORDERING SEQUENCE

### SERIES

- 768 - Diaphragm Pressure Switch set points between 26" Hg vacuum and 125 PSIG

### PRESSURE CONNECTION

- 1 - 1/8"-27 NPT (Male)
- 2 - 1/4"-18 NPT (Male)

### PRESSURE CONNECTION MATERIAL

- 1 - Brass
- 2 - Stainless Steel

### TYPE

- S - Environmentally Sealed Fixed Setting Pressure Switch

### ELECTRICAL CONNECTION

- S03 - SPDT - 3 Terminal Tabs with #8-32 "SEMS" Screws
- S33 - SPDT - 3 #18 AWG Standard lead wires, 10" long
- S35 - SPDT - 3 #18 AWG conductor cable PVC insulation and jacket, 24" long
- Other Options Available

### SET PRESSURE TO BE HELD ON

- R - Rising Pressure or RHg for increasing vacuum
- F - Falling Pressure or FHg for decreasing vacuum

### SET PRESSURE

- Specify factory set pressure in 4-place PSIG (Example: 0100 for 100 PSIG or Hg-12)

### DIAPHRAGM MATERIALS

- N - Nitrile (Buna-N) - Standard
- V - Fluorocarbon (Viton™)
- Options Available
- Consult factory for other available materials and specials